

OFFSHORE EQUIPMENT

Tools for pushing the horizon

MARINE LIFTING GEARS

SPECIAL OFFSHORE OPS

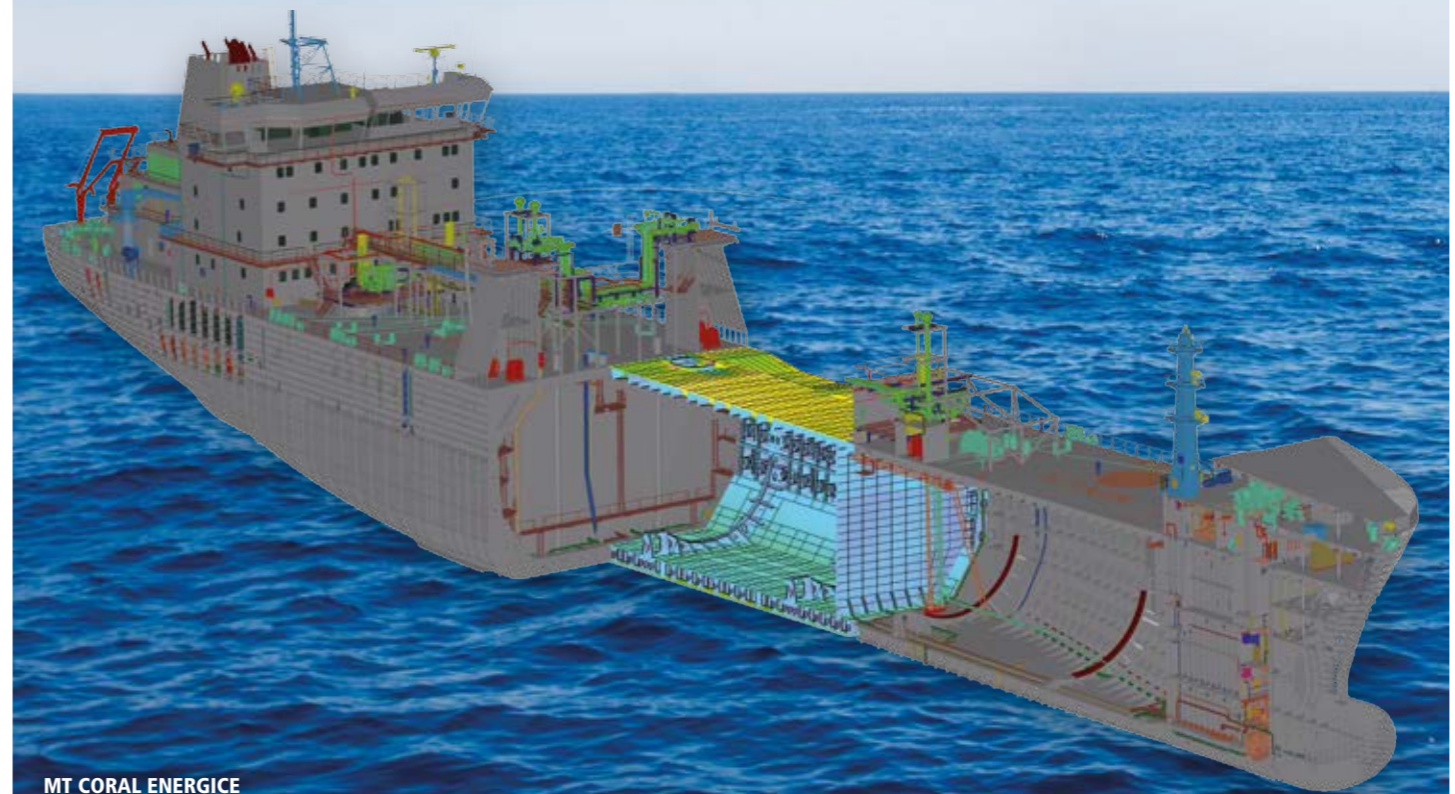
CABLE LAYING AND
MAINTENANCE JOBS

VIBRATION ANALYSIS

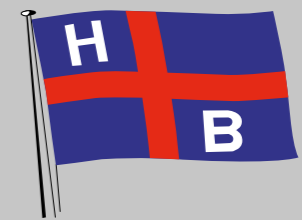
WERFTWEG 15 | 26135 OLDENBURG | GERMANY
TEL.: +49 441 9201 - 01 | FAX: +49 441 9201 - 144
CONTACT@HB-HUNTE.DE | WWW.HB-HUNTE.DE

FEA/FEM

First-hand key analysis
competence



MT CORAL ENERGICE
Builder: Neptun Werft | Owner: Anthony Veder



HB HUNTE ENGINEERING

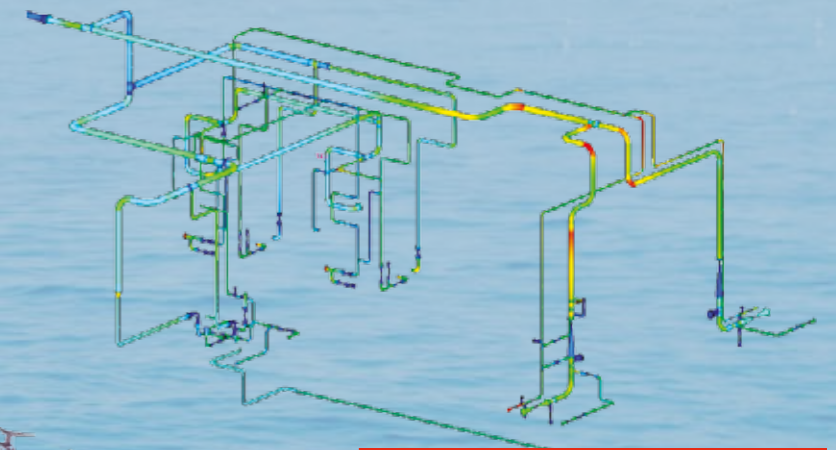
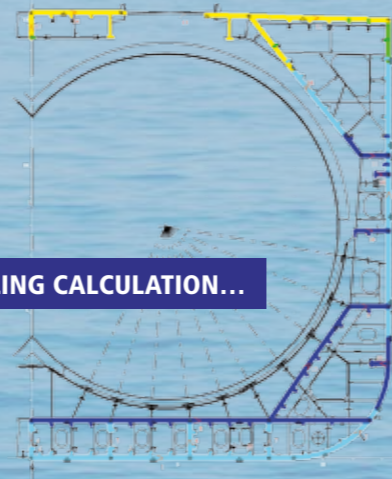
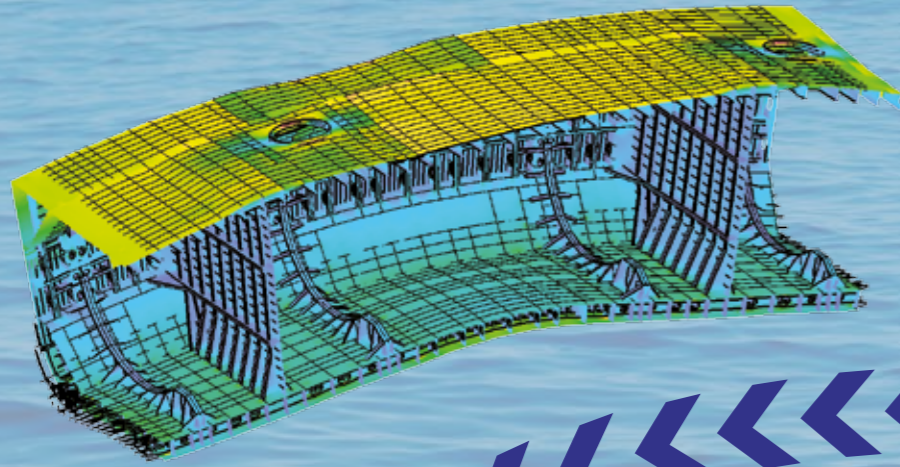
CONTACT@HB-HUNTE.DE | WWW.HB-HUNTE.DE

ALLOVER STRUCTURAL HULL DESIGN

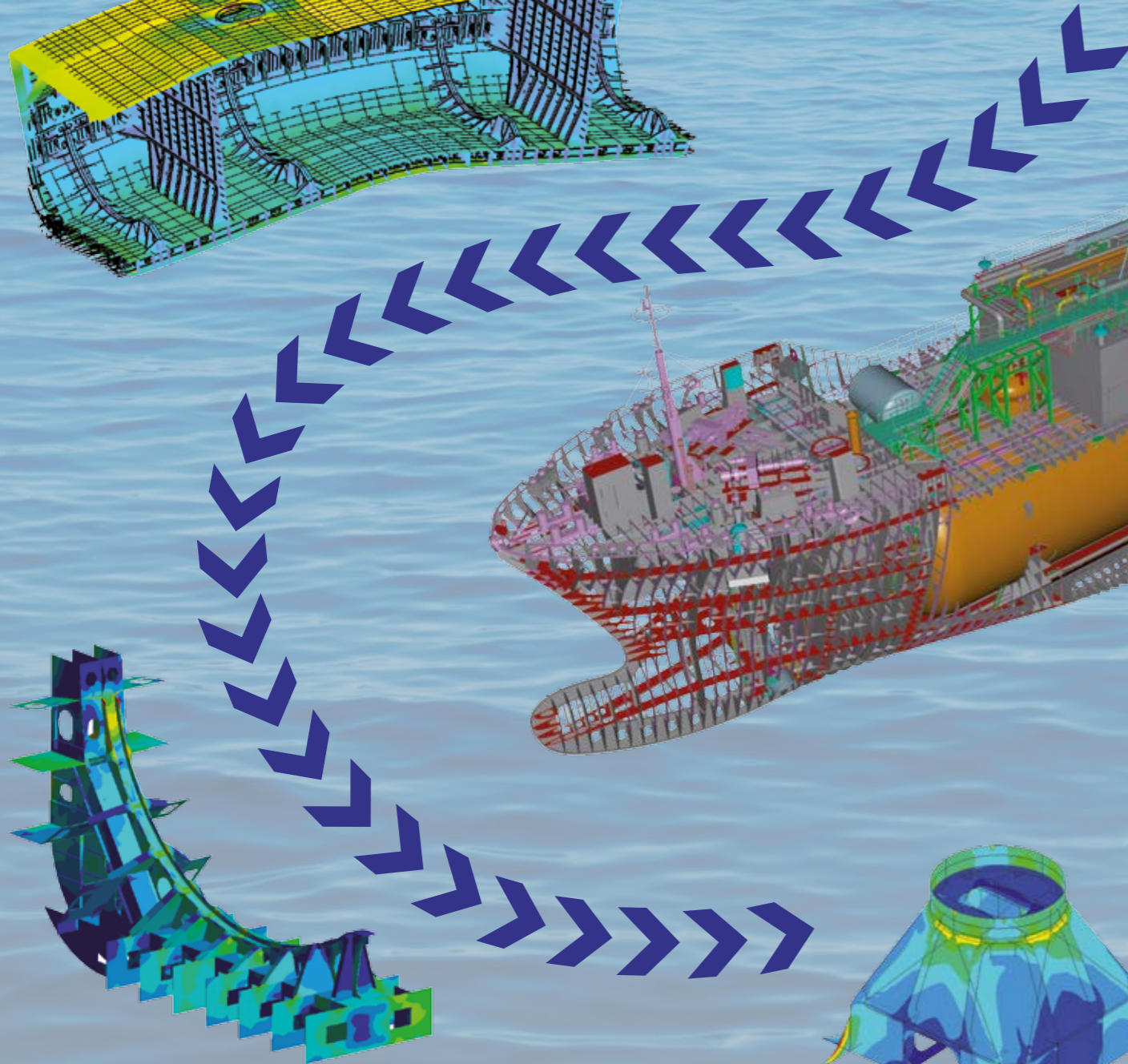
Material input precisely to point

BASIC SCANTLING CALCULATION...

...GLOBAL STRUCTURAL HULL ANALYSIS...

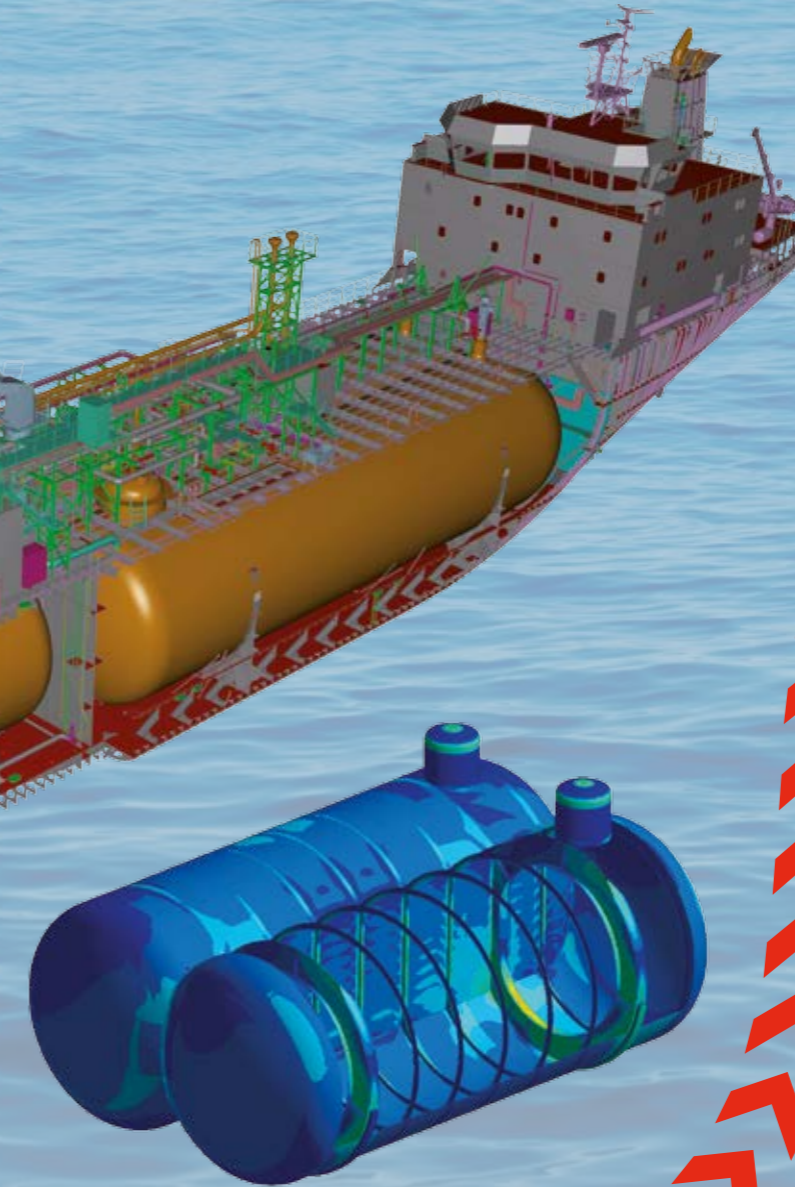
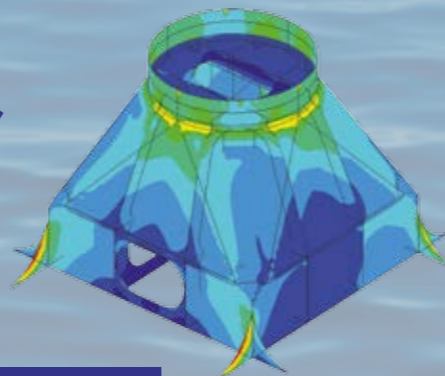


...COMPLEX PIPE STRESS ANALYSIS.



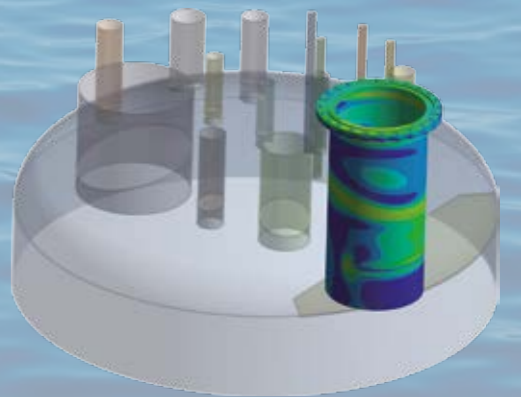
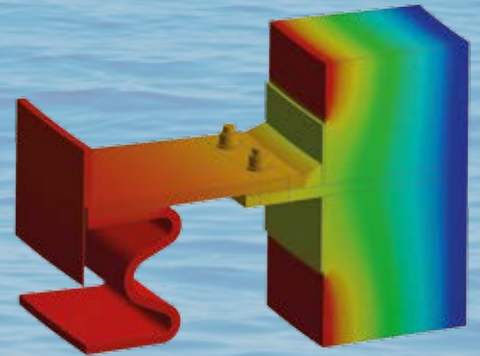
...DETAIL STRUCTURAL ANALYSIS...

...FATIGUE EVALUATION.



GAS TANK DESIGN...

...TEMPERATURE FIELD SIMULATION...



...INCLUDING DETAILS...

LIQUID GAS TECHNOLOGY
Containing tomorrow's energy